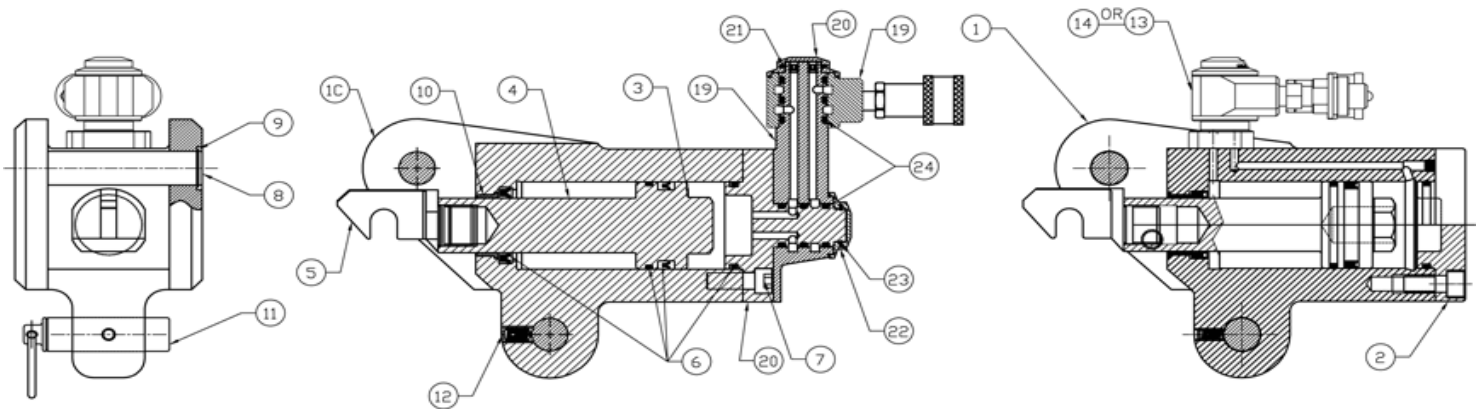
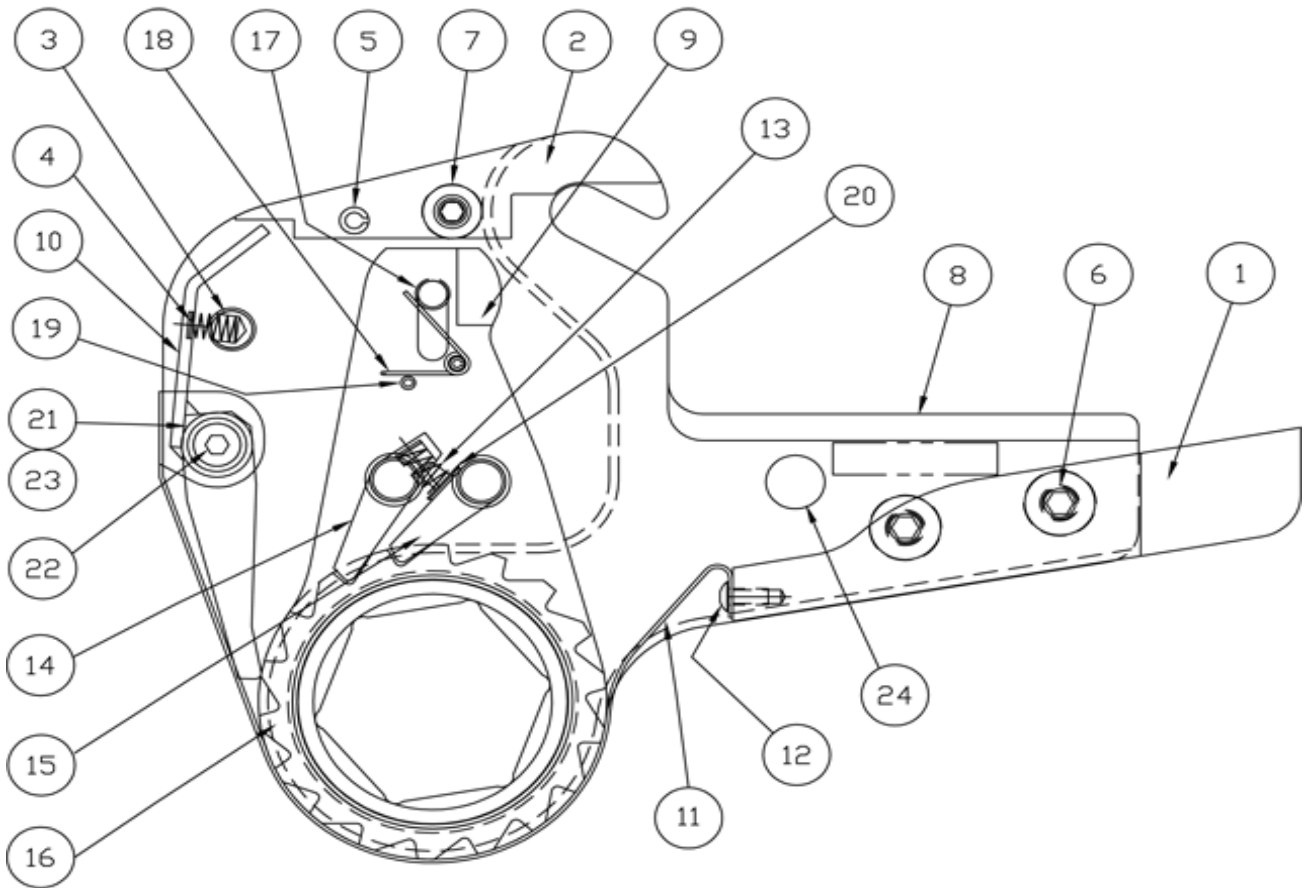


XLCT Cylinder Parts



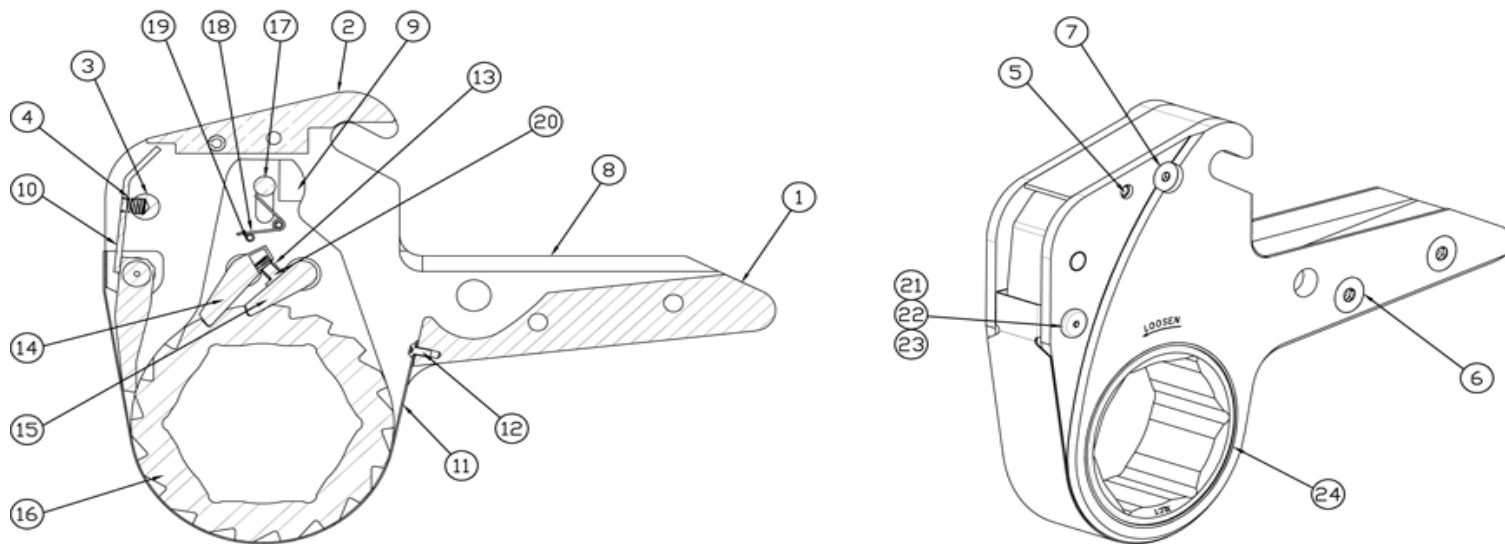
ITEM	DESCRIPTION	XLCT-2	XLCT-4	XLCT-8	XLCT-14	XLCT-18	XLCT-30
1	HOUSING	XLCT-02-01	XLCT-04-01	XLCT-08-01	XLCT-14-01	XLCT-18-01	XLCT-30-01
1C	HOUSING "C" SERIES	XLCT-02-01-C	XLCT-04-01-C	XLCT-08-01-C	XLCT-14-01-C	N/A	N/A
2	CYLINDER END CAP	XLCT-02-02	XLCT-04-02	XLCT-08-02	XLCT-14-02	XLCT-18-02	XLCT-30-02
3	PISTON	XLCT-02-03	XLCT-04-03	XLCT-08-03	XLCT-14-03	XLCT-18-03	XLCT-30-03
4	PISTON ROD	XLCT-02-04	XLCT-04-04	XLCT-08-04	XLCT-14-04	XLCT-18-04	XLCT-30-04
34	PISTON ROD COMBINATION	XLCT-02-03-1	XLCT-04-03-1	XLCT-08-03-1	XLCT-14-03-1	XLCT-18-03-1	XLCT-30-03-1
5	ROD END	XLCT-02-04-1	XLCT-04-04-1	XLCT-08-05	XLCT-14-05	XLCT-18-05	XLCT-30-05
3, 4, 5	PISTON ROD ASSEMBLY	XLCT-02-06	XLCT-04-06	XLCT-08-06	XLCT-14-06	XLCT-18-06	XLCT-30-06
6	HOUSING AND PISTON ROD SEAL KIT	XLCT-02-13	XLCT-04-13	XLCT-08-13	XLCT-14-13	XLCT-18-13	XLCT-30-13
7	CYLINDER END CAP SCREWS (8)	XLCT-02-07	XLCT-04-07	XLCT-08-07	XLCT-14-07	XLCT-18-07	XLCT-30-07
8	FIXED PIN UPPER	XLCT-02-08	XLCT-04-08	XLCT-08-08	XLCT-14-08	XLCT-18-08	XLCT-30-08
9	FIXED PIN SNAP RING (2)	XLCT-02-64	XLCT-04-64	XLCT-08-64	XLCT-14-64	XLCT-18-64	XLCT-30-64
10	BUSHING, PISTON ROD	XLCT-02-65	XLCT-04-65	XLCT-08-65	XLCT-14-65	XLCT-18-65	XLCT-30-65
11-S	LINK PIN SHORT	XLCT-02-10	XLCT-04-10	XLCT-08-10	XLCT-14-10	XLCT-18-10	XLCT-30-10
11-L	LINK PIN LONG	XLCT-02-11	XLCT-04-11	XLCT-08-11	XLCT-14-11	XLCT-18-11	XLCT-30-11
12	LINK PIN RETAINER SCREW	XLCT-02-12	XLCT-04-12	XLCT-08-12	XLCT-14-12	XLCT-18-12	XLCT-30-12
13	UNISWIVEL ASSEMBLY (360° SWIVEL)	XLT-001	XLT-003	XLT-003	XLT-003	XLT-003	XLT-003
14	UNISWIVEL ASSEMBLY (360° X 180° SWIVEL)	N/A	N/A	N/A	N/A	XLCT-018	XLCT-018
15	UNISWIVEL MOUNT SCREWS (NOT SHOWN)	XLT-01-004	XLT-00-004	XLT-00-004	XLT-00-004	XLT-00-004	XLT-00-004
16	UNISWIVEL 360° SEAL KIT (NOT SHOWN)	XLT-001-00	XLT-001-00	XLT-001-00	XLT-001-00	XLT-001-00	XLT-001-00
17	UNISWIVEL 360°X180° SEAL KIT (NOT SHOWN)	N/A	N/A	N/A	N/A	MXT-010-00	MXT-010-00
18	HEX LINK REACTION PAD (NOT SHOWN)	XLCT-02-14	XLCT-04-14	XLCT-08-14	XLCT-14-14	XLCT-18-14	XLCT-30-14
19	SWIVEL BLOCK WITH COUPLERS	XLT-SF012-R	XLT-SF002-R	XLT-SF002-R	XLT-SF002-R	N/A	N/A
20	END CAP POST	XLCT-02-60-C	XLCT-04-60-C	XLCT-08-60-C	XLCT-14-60-C	N/A	N/A

XLCT Link Parts



ITEM	DESCRIPTION	XLCT-2	XLCT-4	XLCT-8	XLCT-14	XLCT-18	XLCT-30
1	LOWER SPACER	XLCT-02B-45-#	XLCT-04B-45-#	XLCT-08B-45-#	XLCT-14B-45-#	XLCT-18B-45-#	XLCT-30B-45-#
2	TOP SPACER	XLCT-02-46	XLCT-04-46	XLCT-08-46	XLCT-14-46	XLCT-18-46	XLCT-30-46
3	REACTION PAWL SPRING SPACER	XLCT-02-47	XLCT-04-47	XLCT-08-47	XLCT-14-47	XLCT-18-47	XLCT-30-47
4	REACTION PAWL SPRING	XLCT-02-37	XLCT-04-37	XLCT-08-37	XLCT-14-37	XLCT-18-37	XLCT-30-37
5	SIDE PLATE ROLL PIN	XLCT-02-48	XLCT-04-48	XLCT-08-48	XLCT-14-48	XLCT-18-48	XLCT-30-48
6	SIDE PLATE SCREW BOTTOM (4x)	XLCT-02-50	XLCT-04-50	XLCT-08-50	XLCT-14-50	XLCT-18-50	XLCT-30-50
7	SIDE PLATE SCREW TOP (2x)	XLCT-02-51	XLCT-04-51	XLCT-08-51	XLCT-14-51	XLCT-18-51	XLCT-30-51
8	SIDE PLATE (LEFT OR RIGHT)	XLCT-02B-52-#	XLCT-04B-52-#	XLCT-08B-52-#	XLCT-14B-52-#	XLCT-18B-52-#	XLCT-30B-52-#
9	DRIVE PLATE (LEFT OR RIGHT)	XLCT-02-35-#	XLCT-04-35-#	XLCT-08-35-#	XLCT-14-35-#	XLCT-18-35-#	XLCT-30-35-#
10	REACTION PAWL ASSEMBLY	XLCT-02-36-#	XLCT-04-36-#	XLCT-08-36-#	XLCT-14-36-#	XLCT-18-36-#	XLCT-30-36-#
11	SHROUD	XLCT-02B-43-#	XLCT-04B-43-#	XLCT-08B-43-#	XLCT-14B-43-#	XLCT-18B-43-#	XLCT-30B-43-#
12	SHROUD SCREW	XLCT-02-44	XLCT-04-44	XLCT-08-44	XLCT-14-44	XLCT-18-44	XLCT-30-44
13	DRIVE PAWL SPRING	XLCT-02-27	XLCT-04-27	XLCT-08-27	XLCT-14-27	XLCT-18-27	XLCT-30-27
14	DRIVE PAWL PRIMARY	XLCT-02-22	XLCT-04-22	XLCT-08-22	XLCT-14-22	XLCT-18-22	XLCT-30-22
15	DRIVE PAWL SECONDARY	XLCT-02-23	XLCT-04-23	XLCT-08-23	XLCT-14-23	XLCT-18-23	XLCT-30-23
16	HEX RACHET	XLCT-02-28 HX	XLCT-04-28 HX	XLCT-08-28 HX	XLCT-14-28 HX	XLCT-18-28 HX	XLCT-30-28 HX
17	DRIVE PIN	XLCT-02-33	XLCT-04-33	XLCT-08-33	XLCT-14-33	XLCT-18-33	XLCT-30-33
18	DRIVE PIN SPRING	XLCT-02-34	XLCT-04-34	XLCT-08-34	XLCT-14-34	XLCT-18-34	XLCT-30-34
19	DRIVE SPRING ROLL PIN (2x)	XLCT-02-32	XLCT-04-32	XLCT-08-32	XLCT-14-32	XLCT-18-32	XLCT-30-32
20	SPRING SEAT	XLCT-02-49	XLCT-04-49	XLCT-08-49	XLCT-14-49	XLCT-18-49	XLCT-30-49
21	PIN, REACTION PAWL	XLCT-02-36-P	XLCT-04-36-P	XLCT-08-36-P	XLCT-14-36-P	XLCT-18-36-P	XLCT-30-36-P
22	SCREW, REACTION PAWL PIN	XLCT-02-51 (2x)	XLCT-04-51 (2x)	XLCT-08-51 (2x)	XLCT-14-36-PS	XLCT-18-36-PS	XLCT-30-36-PS
23	SPACER, REACTION PAWL (2x)	XLCT-02-36-SP	XLCT-04-36-SP	XLCT-08-36-SP	XLCT-14-36-SP	XLCT-18-36-SP	XLCT-30-36-SP
24	SIDE PLATE SLEEVE	ST-02-56-#	ST-04-56-#	ST-08-56-#	ST-14-56-#	XLCT-18B-56-#	XLCT-30B-56-#

XLCT B Link Parts



ITEM	DESCRIPTION	XLCT-2	XLCT-4	XLCT-8	XLCT-14	XLCT-18	XLCT-30
1	LOWER SPACER	XLCT-02B-45-#	XLCT-04B-45-#	XLCT-08B-45-#	XLCT-14B-45-#	XLCT-18B-45-#	XLCT-30B-45-#
2	TOP SPACER	XLCT-02-46	XLCT-04-46	XLCT-08-46	XLCT-14-46	XLCT-18-46	XLCT-30-46
3	REACTION PAWL SPRING SPACER	XLCT-02-47	XLCT-04-47	XLCT-08-47	XLCT-14-47	XLCT-18-47	XLCT-30-47
4	REACTION PAWL SPRING	XLCT-02-37	XLCT-04-37	XLCT-08-37	XLCT-14-37	XLCT-18-37	XLCT-30-37
5	SIDE PLATE ROLL PIN	XLCT-02-48	XLCT-04-48	XLCT-08-48	XLCT-14-48	XLCT-18-48	XLCT-30-48
6	SIDE PLATE SCREW BOTTOM (4x)	XLCT-02-50	XLCT-04-50	XLCT-08-50	XLCT-14-50	XLCT-18-50	XLCT-30-50
7	SIDE PLATE SCREW TOP (2x)	XLCT-02-51	XLCT-04-51	XLCT-08-51	XLCT-14-51	XLCT-18-51	XLCT-30-51
8	SIDE PLATE (LEFT OR RIGHT)	XLCT-02B-52-#	XLCT-04B-52-#	XLCT-08B-52-#	XLCT-14B-52-#	XLCT-18B-52-#	XLCT-30B-52-#
9	DRIVE PLATE (LEFT OR RIGHT)	XLCT-02-35-#	XLCT-04-35-#	XLCT-08-35-#	XLCT-14-35-#	XLCT-18-35-#	XLCT-30-35-#
10	REACTION PAWL ASSEMBLY	XLCT-02-36-#	XLCT-04-36-#	XLCT-08-36-#	XLCT-14-36-#	XLCT-18-36-#	XLCT-30-36-#
11	SHROUD	XLCT-02B-43-#	XLCT-04B-43-#	XLCT-08B-43-#	XLCT-14B-43-#	XLCT-18B-43-#	XLCT-30B-43-#
12	SHROUD SCREW	XLCT-02-44	XLCT-04-44	XLCT-08-44	XLCT-14-44	XLCT-18-44	XLCT-30-44
13	DRIVE PAWL SPRING	XLCT-02-27	XLCT-04-27	XLCT-08-27	XLCT-14-27	XLCT-18-27	XLCT-30-27
14	DRIVE PAWL PRIMARY	XLCT-02-22	XLCT-04-22	XLCT-08-22	XLCT-14-22	XLCT-18-22	XLCT-30-22
15	DRIVE PAWL SECONDARY	XLCT-02-23	XLCT-04-23	XLCT-08-23	XLCT-14-23	XLCT-18-23	XLCT-30-23
16	HEX RACHET	XLCT-02-28 HX	XLCT-04-28 HX	XLCT-08-28 HX	XLCT-14-28 HX	XLCT-18-28 HX	XLCT-30-28 HX
17	DRIVE PIN	XLCT-02-33	XLCT-04-33	XLCT-08-33	XLCT-14-33	XLCT-18-33	XLCT-30-33
18	DRIVE PIN SPRING	XLCT-02-34	XLCT-04-34	XLCT-08-34	XLCT-14-34	XLCT-18-34	XLCT-30-34
19	DRIVE SPRING ROLL PIN (2x)	XLCT-02-32	XLCT-04-32	XLCT-08-32	XLCT-14-32	XLCT-18-32	XLCT-30-32
20	SPRING SEAT	XLCT-02-49	XLCT-04-49	XLCT-08-49	XLCT-14-49	XLCT-18-49	XLCT-30-49
21	PIN, REACTION PAWL	XLCT-02-36-P	XLCT-04-36-P	XLCT-08-36-P	XLCT-14-36-P	XLCT-18-36-P	XLCT-30-36-P
22	SCREW, REACTION PAWL PIN	XLCT-02-51 (2x)	XLCT-04-51 (2x)	XLCT-08-51 (2x)	XLCT-14-36-PS	XLCT-18-36-PS	XLCT-30-36-PS
23	SPACER, REACTION PAWL (2x)	XLCT-02-36-SP	XLCT-04-36-SP	XLCT-08-36-SP	XLCT-14-36-SP	XLCT-18-36-SP	XLCT-30-36-SP
24	SIDE PLATE SLEEVE	ST-02-56-#	ST-04-56-#	ST-08-56-#	ST-14-56-#	XLCT-18B-56-#	XLCT-30B-56-#