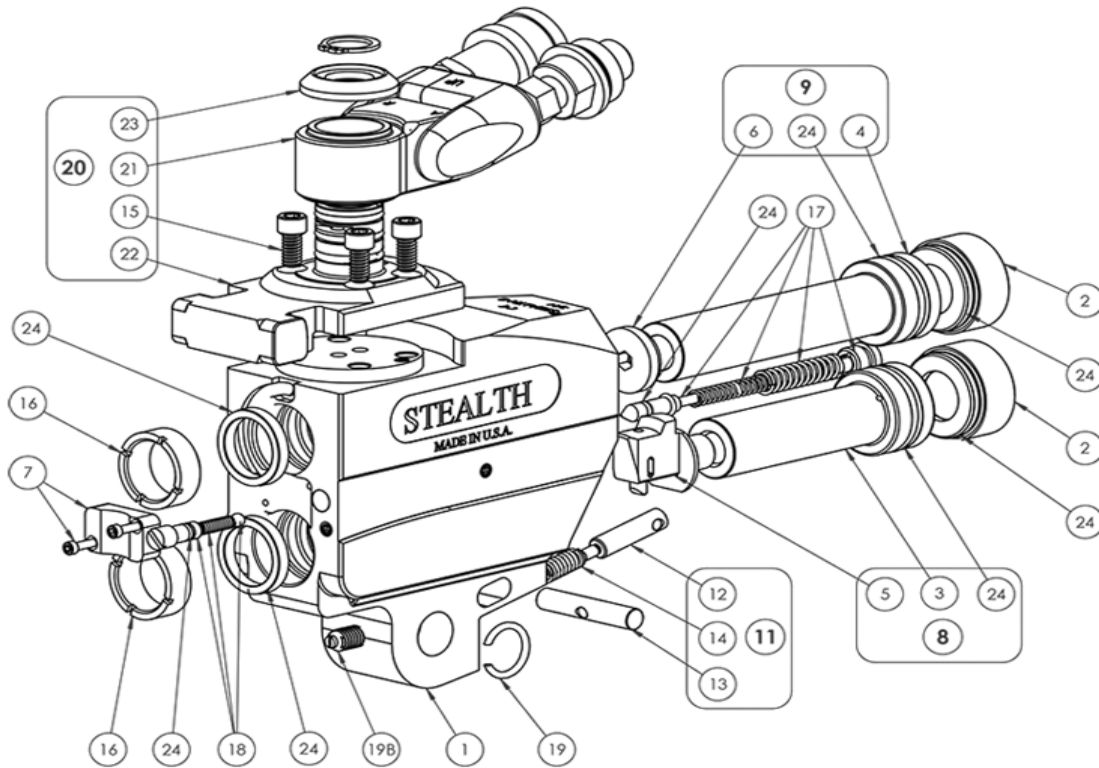
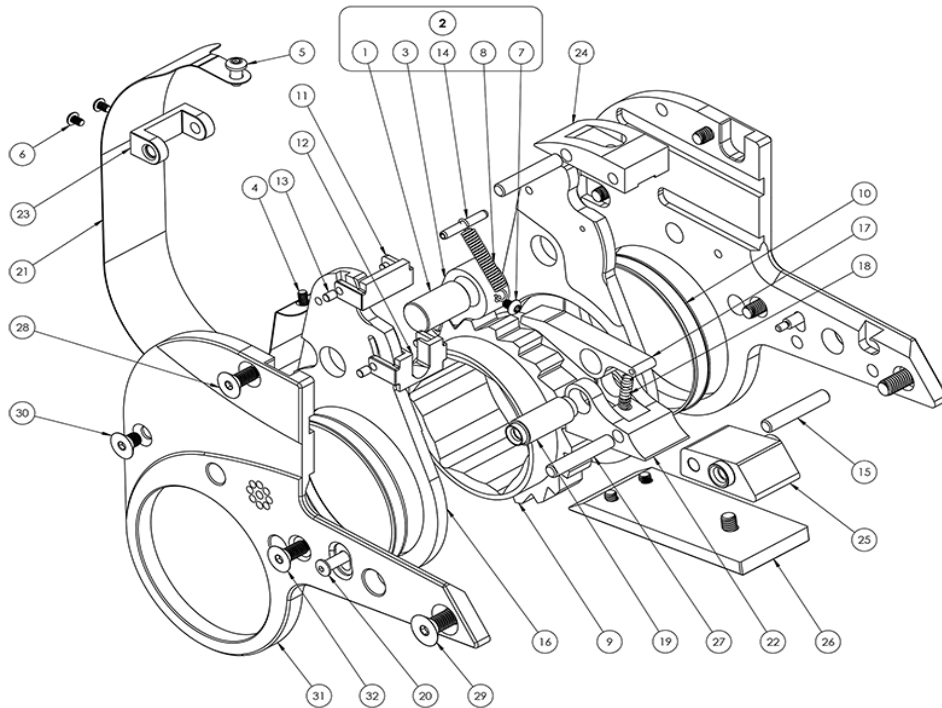


STEALTH Cylinder Parts



ITEM	QTY.	DESCRIPTION	STEALTH-2	STEALTH-4	STEALTH-8	STEALTH-14	STEALTH-22	STEALTH-36
1	1	HOUSING ASSEMBLY	ST-02-01	ST-04-01	ST-08-01	ST-14-01	ST-22-01	ST-36-01
2	2	END CAP WITH SEAL (TOP/BOTTOM)	ST-02-02T/B	ST-04-02T/B	ST-08-02T/B	ST-14-02T/B	ST-22-02T/B	ST-36-02T/B
3	1	BOTTOM PISTON ROD	ST-02-03B	ST-04-03B	ST-08-03B	ST-14-03B	ST-22-03B	ST-36-03B
4	1	TOP PISTON ROD	ST-02-03T	ST-04-03T	ST-08-03T	ST-14-03T	ST-22-03T	ST-36-03T
5	1	ROD END HOOK KIT (INCLUDE ITEM 10)	ST-02-04B-00	ST-04-04B-00	ST-08-04B-00	ST-14-04B-00	ST-22-04B-00	ST-36-04B-00
6	1	TOP ROD END	ST-02-04T	ST-04-04T	ST-08-04T	ST-14-04T	ST-22-04T	ST-36-04T
7	1	ANTI-ROTATION KIT (WITH SCREWS)	ST-02-05	ST-04-05	ST-08-05	ST-14-05	ST-22-05	ST-36-05
8	1	BOTTOM PISTON ROD ASSEMBLY	ST-02-06B	ST-04-06B	ST-08-06B	ST-14-06B	ST-22-06B	ST-36-06B
9	1	TOP PISTON ROD ASSEMBLY	ST-02-06T	ST-04-06T	ST-08-06T	ST-14-06T	ST-22-06T	ST-36-06T
10	1	HOOK PIN KIT (NOT SHOWN)	ST-02-09	ST-04-09	ST-08-09	ST-14-09	ST-22-09	ST-36-09
11	1	RELEASE PIN KIT	ST-02-10	ST-04-10	ST-08-10	ST-14-10	ST-22-10	ST-36-10
12	1	RELEASE PIN	ST-02-10-01	ST-04-10-01	ST-08-10-01	ST-14-10-01	ST-22-10-01	ST-36-10-01
13	1	RELEASE DOWL	ST-02-10-02	ST-04-10-02	ST-08-10-02	ST-14-10-02	ST-22-10-02	ST-36-10-02
14	1	RELEASE SPRING	ST-02-10-03	ST-04-10-03	ST-08-10-03	ST-14-10-03	ST-22-10-03	ST-36-10-03
15	4	POST SCREWS	ST-02-13	ST-04-13	ST-08-13	ST-14-13	ST-22-13	ST-36-13
16	2	ROD BUSHING	N/A	ST-04-15	ST-08-15	ST-08-15	ST-08-15	ST-36-15
17	1	RELIEF VALVE KIT (WITH SEAL)	N/A	ST-04-16	ST-08-16	ST-14-16	ST-22-16	ST-36-16
18	1	CHECK VALVE KIT (WITH SEAL)	N/A	ST-04-17	ST-04-17	ST-04-17	ST-04-17	ST-36-17
19	1	LINK PIN RETAINER	ST-02-19	ST-04-19	ST-08-19	N/A	N/A	N/A
19B	1	BALL PLUNGER - LINK PIN RETAINING	N/A	N/A	N/A	ST-14-19	ST-22-19	ST-36-19
20	1	UNISWIVEL ASSEMBLY WITH POST	ST-002	ST-004	ST-008	ST-014	ST-022	ST-036
21	1	UNISWIVEL BLOCK ASSEMBLY	ST-002-SW	ST-004-SW	ST-004-SW	ST-004-SW	ST-004-SW	ST-004-SW
22	1	SWIVEL POST	ST-002-HP	ST-004-HPA	ST-008-HPA	ST-014-HP	ST-022-HP	ST-036-HP
23	1	SAFETY CAP	ST-002-SC	ST-004-SC	ST-004-SC	ST-004-SC	ST-004-SC	ST-004-SC
24	1	HOUSING SEAL KIT	ST-02-62	ST-04-62	ST-08-62	ST-14-62	ST-22-62	ST-36-62
25	1	HOUSING MAINTENANCE KIT (NOT SHOWN)	MK-ST2	MK-ST4	MK-ST8	MK-ST14	MK-ST22	MK-ST36
26	1	END CAP REMOVER (NOT SHOWN)	ST2-ECR	ST4-ECR	ST8-ECR	ST14-ECR	ST22-ECR	ST36-ECR
27	1	LINK PIN (OPTIONAL (NOT SHOWN))	XLCT-02-10	XLCT-04-10	XLCT-08-10	XLCT-14-10	XLCT-18-10	XLCT-30-10

STEALTH Link Parts



ITEM	QTY.	DESCRIPTION	STEALTH-2	STEALTH-4	STEALTH-8	STEALTH-14	STEALTH-22	STEALTH-36
1	1	DRIVE PAWL PIN	ST-02-20	ST-04-20	ST-08-20	ST-14-20	ST-22-20	ST-36-20
2	1	DRIVE PAWL ASSEMBLY KIT	ST-02-21-#	ST-04-21-#	ST-08-21-#	ST-14-21-#	ST-22-21-#	ST-36-21-#
3	1	DRIVE PAWL KIT	ST-02-22-#	ST-04-22-#	ST-08-22-#	ST-14-22-#	ST-22-22-#	ST-36-22A/B #
4	1	SHROUD SCREW, BOTTOM	ST-02-23	ST-04-23	ST-08-23	ST-14-23	ST-22-23	ST-36-23
5	1	SHROUD SCREW, TOP	ST-02-24	ST-04-24	ST-08-24	ST-14-24	ST-22-24	ST-36-24
6	2	SHROUD SCREW, MIDDLE SPACER	N/A	N/A	N/A	ST-14-25	ST-22-25	ST-36-25
7	1	DRIVE PAWL SPRING SCREW	ST-02-26	ST-04-26	ST-08-26	ST-14-26	ST-22-26	ST-36-26
8	1	DRIVE PAWL SPRING	ST-02-27	ST-04-27	ST-08-27	ST-14-27	ST-22-27	ST-36-27
9	1	RATCHET, HEX SIZE	ST-02-28-#	ST-04-28-#	ST-08-28-#	ST-14-28-#	ST-22-28-#	ST-36-28-#
10	2	SIDE PLATE SLEEVE	ST-02-29-#	ST-04-29-#	ST-08-29-#	ST-14-29-#	ST-22-29-#	ST-36-29-#
11	1	SLIDE, UPPER	ST-02-30	ST-04-30	ST-08-30	ST-14-30	ST-22-30	ST-36-30
12	1	SLIDE, BOTTOM	ST-02-31	ST-04-31	ST-08-31	ST-14-31	ST-22-31	ST-36-31
13	4	SLIDE HOOK PIN	ST-02-32	ST-04-32	ST-08-32	ST-14-32	ST-22-32	ST-36-32
14	1	ROLL PIN, DRIVE PAWL SPRING	ST-02-33	ST-04-33	ST-08-33	ST-14-33	ST-22-33	ST-36-33
15	1	DOWL PIN, REAR SPACER	ST-02-34	ST-04-34	ST-08-34	ST-14-34	ST-22-34	ST-36-34
16	2	DRIVE PLATE (ONE LEFT, ONE RIGHT)	ST-02-35-#	ST-04-35-#	ST-08-35-#	ST-14-35-#	ST-22-35-#	ST-36-35-#
17	1	REACTION PAWL	ST-02-36-#	ST-04-36-#	ST-08-36-#	ST-14-36-#	ST-22-36-#	ST-36-36-#
18	1	SPRING, REACTION SPACER	ST-02-37	ST-04-37	ST-08-37	ST-14-37	ST-22-37	ST-36-37
19	1	PIN, REACTION PAWL	ST-02-38	ST-04-38	ST-08-38	ST-14-38	ST-22-38	ST-36-38
20	2	RELEASE BUTTON, REACTION PAWL	ST-02-39	ST-04-39	ST-08-39	ST-14-39	ST-22-39	ST-36-39
21	1	SHROUD	ST-02-43-#	ST-04-43-#	ST-08-43-#	ST-14-43-#	ST-22-43-#	ST-36-43-#
22	1	LOWER FRONT SPACER	ST-02-45F-#	ST-04-45F-#	ST-08-45F-#	ST-14-45F-#	ST-22-45F-#	ST-36-45F-#
23	1	MIDDLE SPACER	ST-02-45M	ST-04-45M	ST-08-45M	ST-14-45M	ST-22-45M	ST-36-45M
24	1	TOP SPACER	ST-02-45T	ST-04-45T	ST-08-45T	ST-14-45T	ST-22-45T	ST-36-45T
25	1	LOWER REAR SPACER	ST-02-45R	ST-04-45R	ST-08-45R	ST-14-45R	ST-22-45R	ST-36-45R
26	1	REACTION PLATE KIT	ST-02-45P #	ST-04-45P #	ST-08-45P #	N/A	N/A	N/A
27	2	DOWEL PIN, SPACERS	ST-02-48	ST-04-48	ST-08-48	ST-14-48	ST-22-48	ST-36-48
28	2	TOP SIDE PLATE SCREW	ST-02-49	ST-04-49	ST-08-49	ST-14-49	ST-22-49	ST-36-49
29	2	SIDE PLATE SCREW REAR	ST-02-50	ST-04-50	ST-08-50	ST-14-50	ST-22-50	ST-36-50
30	2	SIDE PLATE SCREW, SMALL	ST-02-51	ST-04-51	ST-08-51	ST-14-51	ST-22-51	ST-36-51
31	2	LINK SIDE PLATE (ONE LEFT, ONE RIGHT)	ST-02-52-#	ST-04-52-#	ST-08-52-#	ST-14-52-#	ST-22-52-#	ST-36-52-#
32	2	BOTTOM SIDE PLATE SCREW	ST-02-53	ST-04-53	ST-08-53	ST-14-53	ST-22-53	ST-36-53
33	1	LINK MAINTENANCE KIT (NOT SHOWN)	MK-ST2-LK	MK-ST4-LK	MK-ST8-LK	MK-ST14-LK	MK-ST22-LK	MK-ST36-LK