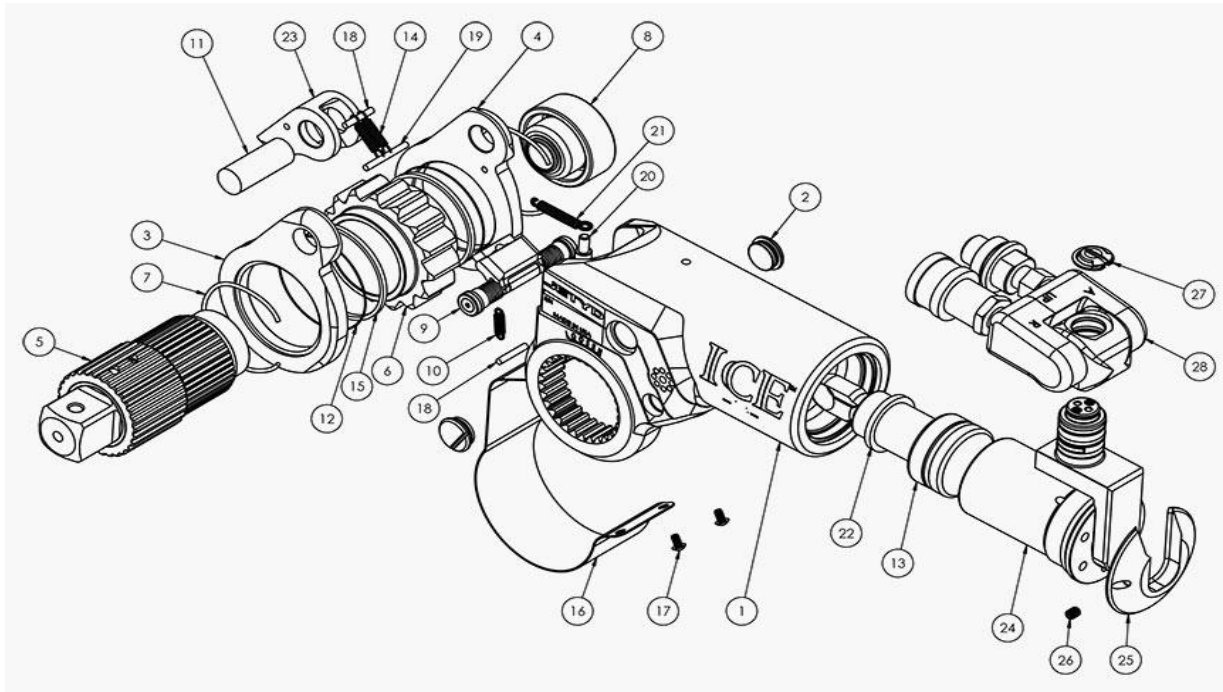


# ICE Parts



ITEM	QTY.	Description	ICE-01	ICE-03	ICE-05	ICE-11	ICE-21	ICE-35
1	1	HOUSING	ICE-01-01	ICE-03-01	ICE-05-01	ICE-11-01	ICE-21-01	ICE-35-01
2	2	ACCESS PLUG (WITH O-RING)	AV-01-02	AV-03-02	AV-05-02	AV-10-02	AV-20-02	AV-35-02
3	1	DRIVE PLATE, RIGHT	ICE-01-04R	ICE-03-04R	ICE-05-04R	ICE-11-04R	ICE-21-04R	ICE-35-04R
4	1	DRIVE PLATE, LEFT	ICE-01-04L	ICE-03-04L	ICE-05-04L	ICE-11-04L	ICE-21-04L	ICE-35-04L
5	1	SQUARE DRIVE ASSEMBLY	AV-01-05	AV-03-05	AV-05-05	AV-10-05	AV-20-05	AV-35-05
6	1	RATCHET	AV-01-06	AV-03-06	AV-05-06	AV-10-06	AV-20-06	AV-35-06
7	2	DRIVE TENSION SPRING	ICE-01-09	ICE-03-09	N/A	N/A	N/A	N/A
8	1	DRIVE RETAINER ASSEMBLY	AV-01-11	AV-03-11	AV-05-11	AV-10-11	AV-20-11	AV-35-11
9	1	AUTO REACTION PAWL ASSEMBLY	ICE-01-16	ICE-03-16	ICE-05-16	ICE-11-16	ICE-21-16	ICE-35-16
10	1	REACTION PAWL SPRING	ICE-01-18	ICE-03-18	ICE-05-18	ICE-11-18	ICE-21-18	ICE-35-18
11	1	ROD PIN	AV-01-19	AV-03-19	AV-05-19	AV-10-19	AV-20-19	AV-35-19
12	2	BACKUP RING, RETAINING RING	AV-01-20	AV-03-20	AV-05-20	AV-10-20	AV-20-20	AV-35-20
13	1	PISTON ASSEMBLY	AV-01-25	AV-03-25	AV-05-25	AV-10-25	AV-20-25	AV-35-25
14	2	DRIVE PAWL SPRING	AV-01-27	AV-03-27	AV-05-27	AV-10-27	AV-20-27	AV-35-27
15	2	DRIVE PLATE RETAINING RING	AV-01-30	AV-03-30	AV-05-30	AV-10-30	AV-20-30	AV-35-30
16	1	SHROUD	ICE-01-31	ICE-03-31	ICE-05-31	ICE-11-31	ICE-21-31	ICE-35-31
17	2	SHROUD SCREW	AV-01-32	AV-03-32	AV-05-32	AV-10-32	AV-20-32	AV-35-32
18	2	ROLL PIN, DRIVE PAWL	AV-01-40	AV-03-40	AV-05-40	AV-10-40	AV-20-40	AV-35-40
19	1	DOWEL PIN, DRIVE PLATE	AV-01-41	AV-03-41	AV-05-41	AV-10-41	AV-20-41	AV-35-41
20	1	SHROUD SPRING SCREW	AV-01-58	AV-03-58	AV-05-58	AV-10-58	AV-20-58	AV-35-58
21	1	SHROUD SPRING	AV-01-59	AV-03-59	AV-05-59	AV-10-59	AV-20-59	AV-35-59
22	1	HOUSING SEAL KIT	ICE-01-62	ICE-03-62	ICE-05-62	ICE-11-62	ICE-21-62	ICE-35-62
23	1	DRIVE PAWL ASSEMBLY	AV-01-63	AV-03-63	AV-05-63	AV-10-63	AV-20-63	AV-35-63
24	1	REAR SWIVEL SUB ASSEMBLY	ICE-01-326	ICE-03-326	ICE-05-326	ICE-11-326	ICE-21-326	ICE-35-326
25	1	END CAP COVER	ICE-01-358	ICE-03-358	ICE-05-358	ICE-11-358	ICE-21-358	ICE-35-358
26	1	SET SCREW, END CAP COVER	ICE-01-359	ICE-03-359	ICE-05-359	ICE-11-359	ICE-21-359	ICE-35-359
27	1	SWIVEL SAFETY CAP	ICE-01-383	ICE-03-383	ICE-05-383	ICE-11-383	ICE-21-383	ICE-35-383
28	1	UNISWIVEL ASSEMBLY	MXT-001SACL-SW	MXT-003SACL-SW	MXT-005SACL-SW	MXT-010SACL-SW	MXT-010SACL-SW	AV-035ACL-SW
29	1	MAINTENANCE KIT (NOT SHOWN)	MK-ICE01	MK-ICE03	MK-ICE05	MK-ICE11	MK-ICE21	MK-ICE35
30	1	END CAP REMOVER (NOT SHOWN)	ICE1-ECR	ICE3-ECR	ICE5-ECR	ICE11-ECR	ICE21-ECR	ICE35-ECR
31	1	SWIVEL NUT REMOVER (NOT SHOWN)	ICE1-SNR	ICE3-SNR	ICE5-SNR	ICE11-SNR	ICE21-SNR	ICE35-SNR